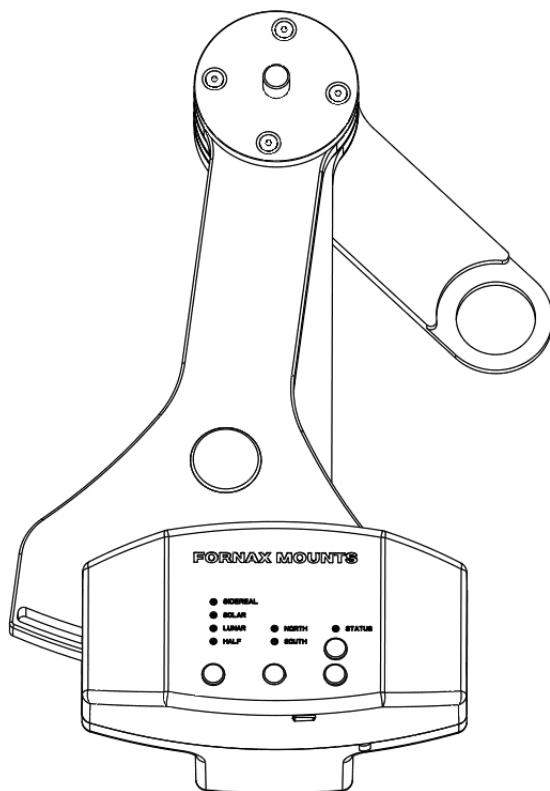


# FORNAX MOUNTS - LighTrack II

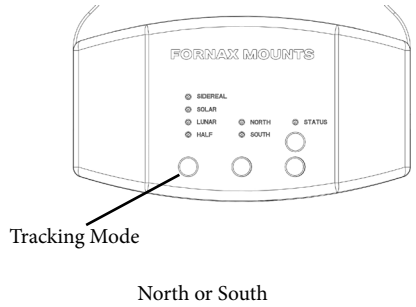
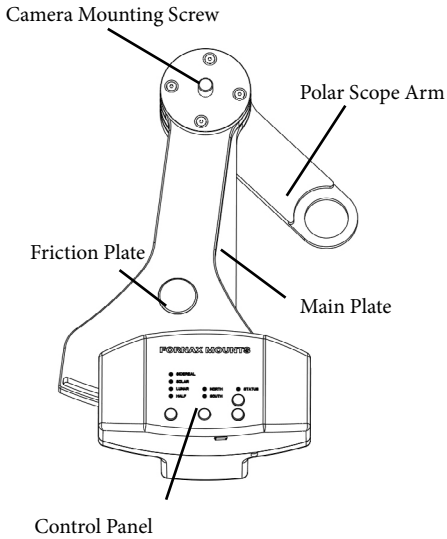
## -User Manual-



**FORNAX MOUNTS**

[www.fornaxmounts.com](http://www.fornaxmounts.com)

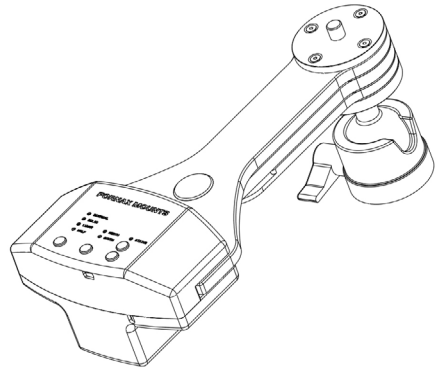
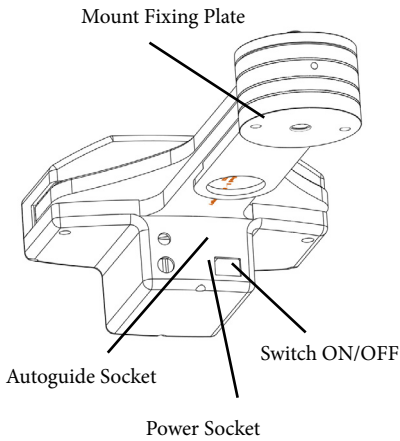
# Nomenclature



## Tripod Mounting

The LighTrack II comes with a standard  $\frac{3}{8}$ " thread, making it easy to fasten it to any tripod or ballhead.

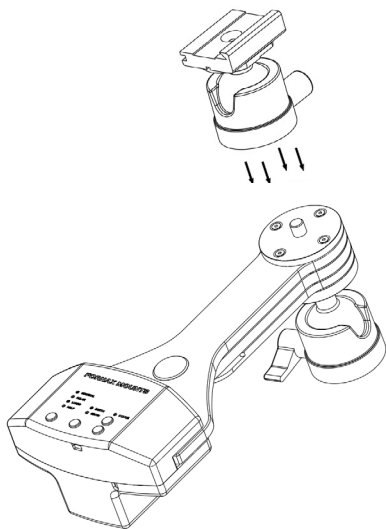
1. Place your tripod on the ground and stabilize it. Adjust it to its optimal position and level it.
2. Fasten the LighTrack II on the ballhead. Make sure the parts are all fastened safely.



4. Adjust the tripod head so that the LighTrack II is angled for your latitude and the camera mount thread points approximately north.

## Mounting a Camera or Telescope

1. Your camera can be mounted on the LighTrack II using a camera ball head with a 3/8" 16 tpi thread. (maximum 5 kilograms!)
2. Screw your camera ball head or astronomical alt/az head to the LighTrack II.
3. Attach your camera or telescope to the camera ball head or astronomical alt/az head



## Using the cigarette lighter cable

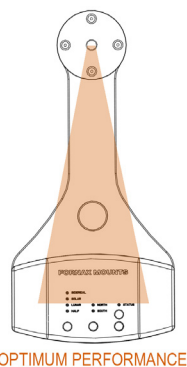
Plug the cigarette lighter cable to the slot labeled 12V DC on the LighTrack II and the other end to a 12V DC battery. (eg. The cigarette lighter socket of a car.)

## Using the battery (not included)

Plug the battery cable to the slot labeled 12V DC on the LighTrack II and then turn on the battery. Only use certified batteries.

## Start Tracking

To start tracking, first select your hemisphere (north-south) and the (Sidereal, Solar, Lunar, Half –more about these below).



## Powering Up

The LighTrack II kit includes a 12 V DC plug and a 12V DC standard cigarette lighter plug. Additionally, a 12V DC LighTrack II battery can also be purchased.

## Using the adapter (not included)

Plug the adapter to the slot labeled 12V DC on the LighTrack II and the other end to a standard 110-230 V socket. This adapter is designed for indoors use. Please only use it outdoors after taking proper safety measures.

Choose your tracking object.

In Solar mode you can follow the sun. (Never look at the sun or extremely bright light source through a camera, lens or telescope!)

In Lunar mode the Moon is being tracked.

Sidereal mode helps you track deep sky objects

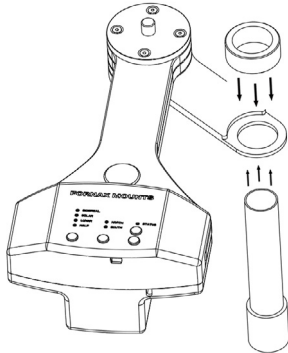
Half mode enables taking TWAN photos. (Here the sidereal rate is kept to a minimum, keeping motion blur to a minimum.)

## Solar, Lunar and Half Tracking Modes

## Polar Alignment

Proper tracking requires correct polar alignment.

1. Fasten the EQ 5 polar telescope to the holder with the screw.



2. Using the cross-hair of the telescope align the LighTrack II to the pole.

3. After alignment do not move the holder so as to avoid moving the mount.

## Safety Warnings

Follow these safeguards and use the equipment properly to prevent injury, death and material damage:

Keep the LighTrack II from the reach of small children.

Do not use any batteries, power sources, and accessories not specified in these instructions.

Do not use any home-made or modified batteries.

Do not connect the LighTrack II to the battery in reversed polarity (+ -).

Do not mix new and old or different types of batteries.

Do not insert any foreign metallic objects into the electrical contacts of the LighTrack II, connecting cables etc.

Do not use the equipment where there is flammable gas. This is to prevent an explosion or fire. Do not disassemble or modify the equipment.

Do not use solvents to clean the equipment as this may damage the finish. Never look at the sun or extremely bright light source through a camera, lens or telescope.

Doing so may damage your vision or permanently blind you.

Do not store the equipment in dusty or humid places. To prevent fire and electrical shock, follow the safeguards below: Always insert the power plug all the way in.

Do not handle a power plug with wet hands. • When unplugging a power plug, grasp and pull the plug instead of the cord.

Do not scratch, cut, or excessively bend the power Eyepiece Cells Sleeve Spring Dimmer Illuminator DO NOT UNSCREW illuminator cap beneath dimmer control cord, or put a heavy object on the cord. Also do not twist or tie the cords.

Do not use a cord whose insulation has been damaged. Handling Precautions The LighTrack II is a precision instrument.

Do not drop it or subject it to physical shock. The LighTrack II is not waterproof. If the unit gets wet, place it in a warm dry location and let it dry out naturally. If the unit has been exposed to salty air, wipe with a well-wrung wet cloth.

Do not leave the LighTrack II in excessive heat such as in a car in direct sunlight. High temperatures can cause the LighTrack II to malfunction. The LighTrack II contains precision electronic circuitry. Never attempt to disassemble the unit yourself. Use a blower to blow away dust on the clear Polycarbonate screw guard.

Do not use cleaners that contain organic solvents to clean the LighTrack II. Warranty DO NOT open or alter your LighTrack II in any way as this will void your warranty. If you have a problem, please contact us for further assistance. Doing so will invalidate your warranty. Specifications Weight 1.3 kg (2.8 lb) Load capacity 5 kg (11 lb) Operating voltage 12 Volts DC Operating current approximately 0.25 Amps Fuse 0.5 Amp fast blow type Size (stowed) 43.7 cm x 8.6 cm x 4.4 cm Tracking rates sidereal, solar, lunar and half Tracking time approximately 2 hours Rewind time approximately 1.5 minutes

**Manufactured in Hungary: Fornax 2002 Kft.  
Ady Endre utca 1.Pécel 2119 Hungary**

**Email: [info@fornaxmounts.com](mailto:info@fornaxmounts.com)**

**Web: <http://www.fornaxmounts.com>**